
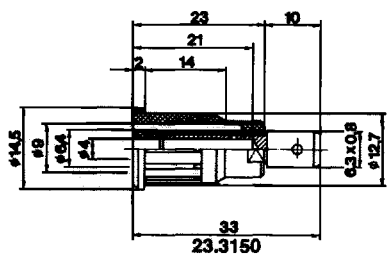


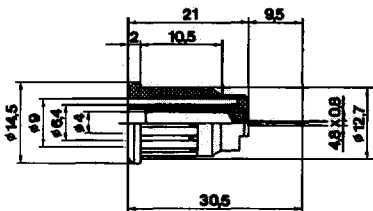

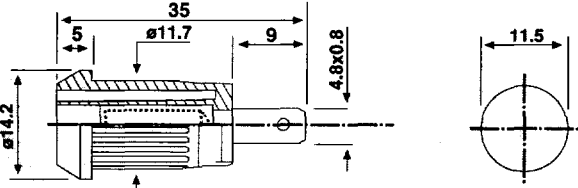

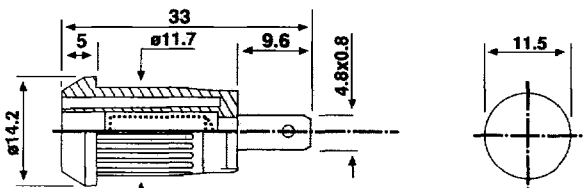
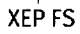

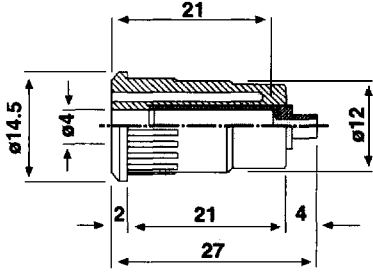



Nominal diameter	Withdraw. force	Rated current	Contact resistance	Type	Part No
4 mm	-	32 A	-	SEB 4-F6.3/N	49.7073
<p>Safety press-in panel mount jack 4 mm (.160 in) dia., machined brass, gold plated, polyamide insulated, with flat tab 4.8 x 0.8 mm (.189 x .031 in) can be bent to 90°, once only.</p> <p>Ratings: • Rated voltage 1000 V</p> <p>Colors: 20 - 25 Mounting tool MB 4-S # 25.0033</p>					
				 	
				 <p>1:1.3</p>	
4 mm	-	24 A	-	SEB 4-F/A	23.3160
<p>Safety press-in panel mount jack 4 mm (.160 in) dia., rolled brass, nickel plated, polyamide insulated, with flat tab 4.8 x 0.8 mm (.189 x .031 in), can be bent to 90°, once only.</p> <p>Ratings: • Rated voltage: 1000 V • Insulation coordination: 6000 V/2 • Test voltage: 4000 V / IEC 3250 V • Breakdown/flashover voltage with 5 mm (.200 in) panel thickness: 8500 V</p> <p>Colors: 20 - 25 Mounting tool MB 4-S # 25.0033</p>					
				 	
				 <p>1:1.3</p>	
4 mm	-	20 A	-	XEP-F XEP-FS	66.9683 (XEP-F) 66.9684 (XEP-FS)
<p>Safety press-fit socket, rated 1000 V, CAT III, 20 A. 4 mm nickel-plated machined-brass socket (XEP-F) or rolled brass socket (XEP-FS) with a 4.8 x 0.8 mm tab. Designed to reduce assembly time, the socket is intended to be pressed into a 11.5 mm hole in either plastic or metal panels. Gold-plated and 6.3 x 0.8 mm tab versions available upon request. Insulator material is Polyamide 6.6.</p> <p>Colors: 20 - 27, 29</p>					
					
					
					
				 <p>1:1</p>	
					
4 mm	-	24 A	-	SEB 4-E	49.7091
<p>Safety press-fit socket, rated 1000 V, CAT III, 24 A. 4 mm nickel-plated machined-brass socket with a solder connection. Designed to reduce assembly time, the socket is intended to be pressed into a 12.2 mm hole in either plastic or metal panels. Insulator material is Polyamide 6.6.</p> <p>Colors: 20 - 27, 29</p>					
					
				 <p>1:1</p>	

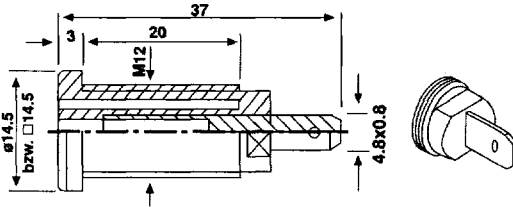
20 - green/yellow 21 - black 22 - red 23 - blue 24 - yellow 25 - green 26 - violet 27 - brown 28 - gray 29 - white 33 - transparent

4 mm Safety Jacks

Insulation coordination and degree of exposure to environmental contamination defined by IEC 1010, DIN VDE 0110.

Part No.	Type	Nominal diameter	Withdraw. force	Rated current	Contact resistance
----------	------	------------------	-----------------	---------------	--------------------

6.9665 XEF-1 R
XEF-1R (hex nut)
6.9854 XEF-1RR (round nut)
6.9675 XEF-1Q
XEF-1QR



Safety panel-mount socket, rated 1000 V, CAT III, 24 A. 4 mm nickel-plated brass socket with a 4.8 x 0.8 mm tab. The Polyamide 6.6 insulator is available with either round (XEF-1R) or square (XEF-1Q) head and both sockets are available with either hex nuts or round nuts (XEF-1RR or XEF-1QR). Weight 3.4 g. Two-pole version available on page 184.

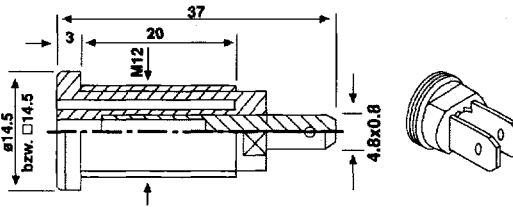
6.9855 XEF-1QR (round nut)



Accessories:
• Spacer sleeves (2.5 mm):..... 66.9151

1:1 Colors: XEF-1R: 20 - 26 XEF-1Q: 21 - 23

6.9131 XEB-1R
XEB-1R (hex nut)
6.9850 XEB-1RR (round nut)
6.9141 XEB-1Q
XEB-1QR



Safety panel-mount socket, rated 1000 V, CAT III, 20 A. Consists of two insulated nickel-plated contacts each with a 4.8 x 0.8 mm tab. The two semi-circular contacts are connected to each other when a 4 mm plug is inserted. The Polyamide 6.6 insulator is available with either round (XEB-1R) or square (XEB-1Q) head and both sockets are available with either hex nuts or round nuts (XEB-1RR or XEB-1QR). Weight 2.9 g. Two-pole version available on page 184.

6.9851 XEB-1QR (round nut)



Accessories:
• Spacer sleeves (2.5 mm):..... 66.9151

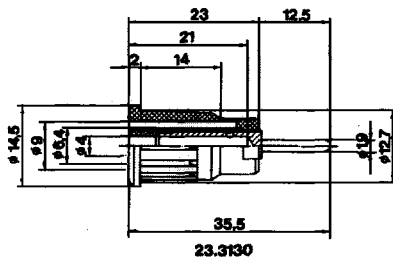
1:1 Colors: XEB-1R: 20 - 26 XEB-1Q: 21 - 25

3.3130 SEB 4-R



4 mm - 24 A -

Safety press-in panel mount jack 4 mm (.160 in) dia., machined brass, gold plated, polyamide insulated, with pin terminal 1.9 mm (.075 in) dia.



Ratings:
• Rated voltage: 1000 V
• Insulation coordination: 8000 V/2
• Test voltage: 4350 V
• Breakdown/flashover voltage with 5 mm (.200 in) panel thickness: 8500 V

Colors: 20 - 25

1:1.3 Mounting tool MB 4-S # 25.0033
For assembly, see page 29.

20 - green/yellow 21 - black 22 - red 23 - blue 24 - yellow 25 - green 26 - violet 27 - brown 28 - gray 29 - white 33 - transparent

For assembly of SLB... SAB...
 Max. tightening torque 0.5 Nm (.37 ft lb)

Safety Jacks 4 mm

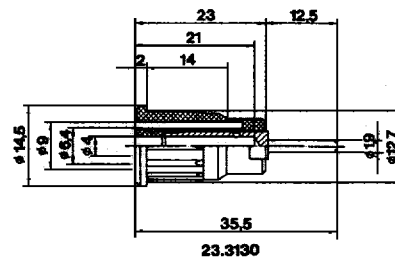
Nominal diameter	Withdraw. force	Rated current	Contact resistance	Type	Part No
4 mm	-	25 A	0.6 mΩ	SEB 4-R/N	49.708(

Safety press-in panel mount jack 4 mm (.160 in) dia., machined brass, nickel plated, polyamide insulated, with pin terminal 1.9 mm (.075 in) dia.

Ratings:
 • Rated voltage: 1000 V

Colors: 20 - 25

Mounting tool MB 4-S # 25.0033
 For assembly, see page 29.



1:1.3

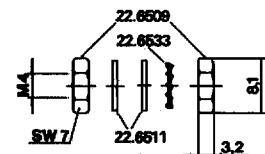
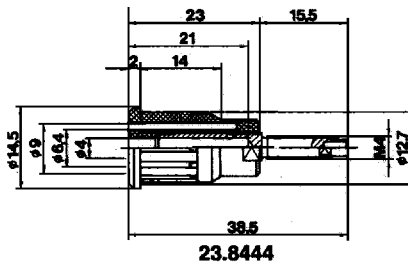
4 mm	-	32 A	-
------	---	------	---

Safety press-in panel mount jack 4 mm (.160 in) dia., machined brass, gold plated, polyamide insulated with M 4 threaded post and hardware.

Ratings:
 • Rated voltage: 1000 V
 • Insulation coordination 8000 V/2
 • Test voltage: 4350 V
 • Breakdown/flashover voltage with 5 mm (.200 in) panel thickness: 8500 V

Colors: 20 -25

Mounting tool MB 4-S # 25.0033
 For assembly, see page 29.



SEB 4-G	23.314(
---------	---------

1:1.3

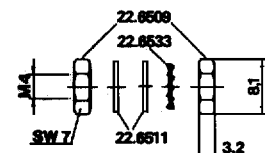
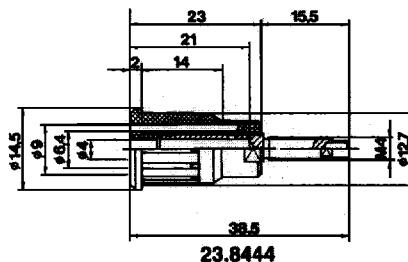
4 mm	-	32 A	-
------	---	------	---

Safety press-in panel mount jack 4 mm (.160 in) dia., machined brass, nickel plated, polyamide insulated with M 4 threaded post and hardware.

Ratings:
 • Rated voltage: 1000 V

Colors: 20 -25

Mounting tool MB 4-S # 25.0033
 For assembly, see page 29.



SEB 4-G/N-X	49.709(
-------------	---------

1:1.3



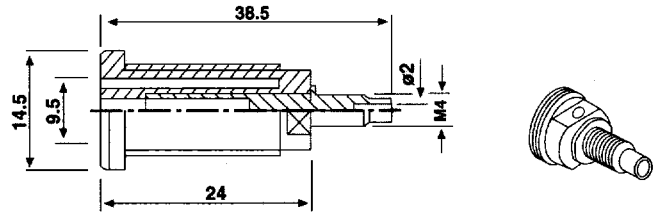
20 - green/yellow 21 - black 22 - red 23 - blue 24 - yellow 25 - green 26 - violet 27 - brown 28 - gray 29 - white 33 - transparent

4 mm Safety Jacks

Insulation coordination and degree of exposure to environmental contamination defined by IEC 1010, DIN VDE 0110.

Part No.	Type	Nominal diameter	Withdraw. force	Rated current	Contact resistance
----------	------	------------------	-----------------	---------------	--------------------

6.9136 XEG-1R
 XEG-1R (hex nut)
 6.9858 XEG-1RR
 XEG-1RR (round nut)
 6.9146 XEG-1Q
 XEG-1Q (hex nut)
 6.9859 XEG-1QR
 XEG-1QR (round nut)



4 mm - 20 A -

Safety panel-mount socket, rated 1000 V, CAT III, 20 A. 4 mm nickel-plated brass socket with a M4 screw connection. The Polyamide 6.6 insulator is available with either round (XEG-1R) or square (XEG-1Q) head and both sockets are available with either hex nuts or round nuts (XEG-1RR or XEG-1QR).
 Weight 4.1 g.
 Two-pole version available on page 185.

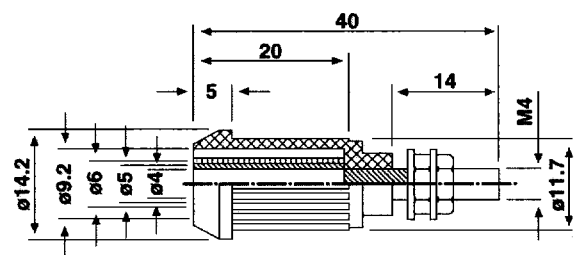
Accessories:
 • Spacer sleeves (2.5 mm):..... 66.9151

Colors: XEG-1R: 20 - 26 XEG-1Q: 21 - 23



1:1

6.9683 XEP-G



4 mm - 20 A -

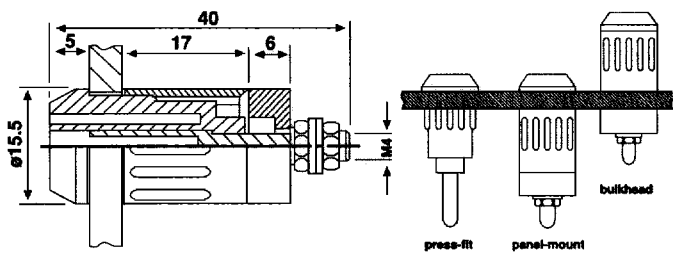
Safety press-fit socket, rated 1000 V, CAT III, 20 A. 4 mm nickel-plated machined-brass socket with an M4 threaded bolt. Designed to reduce assembly time, the socket is intended to be pressed into a 11.5 mm hole in either plastic or metal panels. Insulator material is Polyamide 6.6.

Colors: 20 - 27, 29



1:1

6.9684 XUB-G



4 mm - 20 A -

Universal safety socket, rated 1000 V, CAT II, 20 A. 4 mm nickel-plated brass socket with a M4 screw connection. The XUB-G may be used as a press-fit, panel-mount, or bulkhead socket. Hole size for bulkhead socket is 8 mm, otherwise 12 mm.
 Weight 5.2 g.

Colors: 20 - 27, 29



1:1

20 - green/yellow 21 - black 22 - red 23 - blue 24 - yellow 25 - green 26 - violet 27 - brown 28 - gray 29 - white 33 - transparent

For assembly of SLB... SAB...
 Max. tightening torque 0.5 Nm (.37 ft lb)

Safety Jacks 4 mm

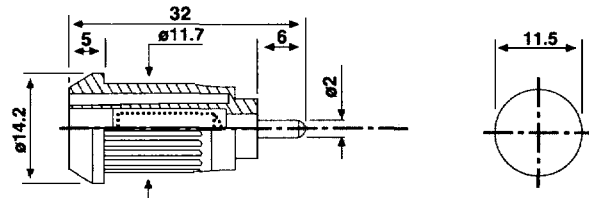
Nominal diameter **Withdraw. force** **Rated current** **Contact resistance**

Type **Part No**

4 mm - 20 A -

XEP-S 66.968*

Safety press-fit socket, rated 1000 V, CAT II, 20 A.
 4 mm nickel-plated brass socket with a 2 mm solder pin.
 Designed to reduce assembly time, the socket is intended to be pressed into a 11.5 mm hole in either plastic or metal panels. Polyamide 6.6 insulator.
 Weight 2.1 g.



Colors: 20 - 27, 29

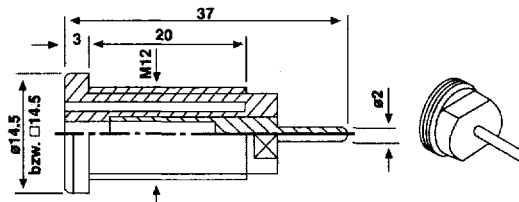


1:1

4 mm - 24 A -

XES-1R 66.9661
 XES-1RR (XES-1R
 XES-1Q hex nut
 XES-1QR

Safety panel-mount socket, rated 1000 V, CAT III, 24 A.
 4 mm nickel-plated brass socket with a 2 mm solder pin.
 The Polyamide 6.6 insulator is available with either round (XES-1R) or square (XES-1Q) head and both sockets are available with either hex nuts or round nuts (XES-1RR or XES-1QR).
 Weight 3.3 g.
 Two-pole version available on page 185.



66.9862
 (XES-1RF
 round nut

 66.9671
 (XES-1C
 hex nut

 66.9863
 (XES-1QF
 round nut

Accessories:
 • Spacer sleeves (2.5 mm): 66.9151

Colors: XES-1R: 20 - 26 XES-1Q: 21 - 23

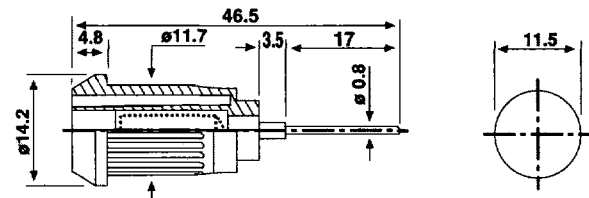


1:1

4 mm - 6 A -

XEP-P 66.9696

Safety press-fit socket, rated 1000 V, CAT II, 6 A.
 4 mm nickel-plated brass socket with 15 mm long silver plated copper wire intended for direct connection to PCBs.
 Designed to reduce assembly time, the socket is intended to be pressed into a 11.5 mm hole in either plastic or metal panels. Polyamide 6.6 insulator.
 Weight 2.0 g.



Colors: 20 - 27, 29



1:1

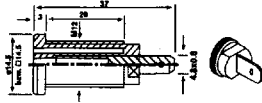
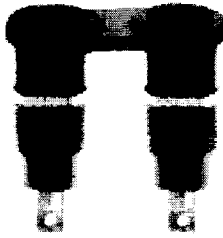
20 - green/yellow 21 - black 22 - red 23 - blue 24 - yellow 25 - green 26 - violet 27 - brown 28 - gray 29 - white 33 - transparent

4 mm Safety Jacks

Insulation coordination and degree of exposure to environmental contamination defined by IEC 1010, DIN VDE 0110.

Part No.	Type	Nominal diameter	Withdraw. force	Rated current	Contact resistance
----------	------	------------------	-----------------	---------------	--------------------

6.9666
XEF-2R
(hex nut)
6.9856
XEF-2RR
(round nut)
6.9676
XEF-2Q
(hex nut)
6.9857
XEF-2QR
(round nut)



1:2

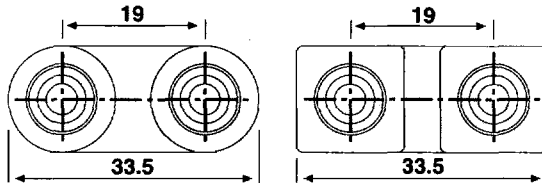
Two-pole safety panel-mount sockets, rated 1000 V, CAT III, 24 A, 4 mm nickel-plated brass sockets with 4.8 x 0.8 mm tabs. The Polyamide 6.6 insulator is available with either round (XEF-2R) or square (XEF-2Q) head and both sockets are available with either hex nuts or round nuts (XEF-2RR or XEF-2QR).

Single-pole version available on page 180.

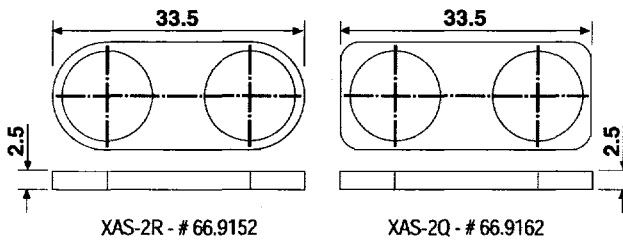
Accessories:

- Spacer sleeves for XEF-2R*: 66.9152
- Spacer sleeves for XEF-2Q*: 66.9162

Colors: XEF-2R: 20 - 26 XEF-2Q: 21 - 23

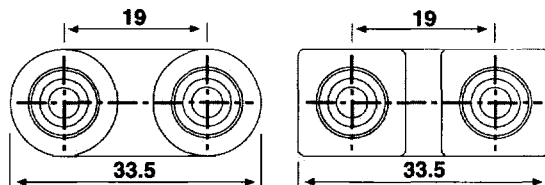
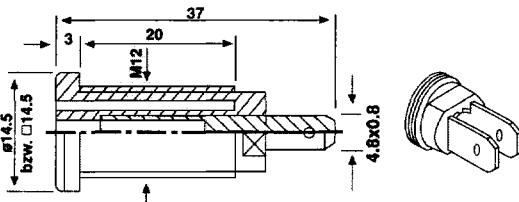


1:1



1:1

6.9132
XEB-2R
(hex nut)
6.9852
XEB-2RR
(round nut)
6.9142
XEB-2Q
(hex nut)
6.9853
XEB-2QR
(round nut)



1:1

Nominal diameter	Withdraw. force	Rated current	Contact resistance
4 mm	-	20 A	-

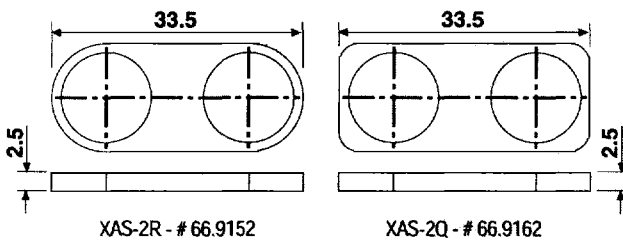
Double safety panel-mount sockets, rated 1000 V, CAT III, 20 A. Each individual socket consists of two insulated nickel-plated contacts each with a 4.8 x 0.8 mm tab. The two semi-circular contacts are connected to each other when a 4 mm plug is inserted. The Polyamide 6.6 insulator is available with either round (XEB-2R) or square (XEB-2Q) head and both sockets are available with either hex nuts or round nuts (XEB-2RR or XEB-2QR).

Single-pole version available on page 180.

Accessories:

- Spacer sleeves for XEB-2R*: 66.9152
- Spacer sleeves for XEB-2Q*: 66.9162

Colors: XEB-2R: 20 - 26 XEF-2Q: 21 - 25



1:1

20 - green/yellow 21 - black 22 - red 23 - blue 24 - yellow 25 - green 26 - violet 27 - brown 28 - gray 29 - white 33 - transparent

For assembly of SLB... SAB...
 Max. tightening torque 0.5 Nm (.37 ft lb)

Safety Jacks 4 mm

Nominal diameter **Withdraw. force** **Rated current** **Contact resistance**

Type **Part No**

4 mm - 20 A -

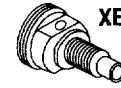
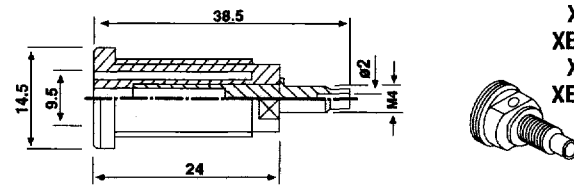
Two-pole safety panel-mount sockets, rated 1000 V, CAT III, 20 A. 4 mm nickel-plated brass sockets with M4 screw connections. The Polyamide 6.6 insulator is available with either round (XEG-2R) or square (XEG-2Q) head and both sockets are available with either hex nuts or round nuts (XEG-2RR or XEG-2QR).

Single-pole version available on page 182.

Accessories:

- Spacer sleeves for XEG-2R*: 66.9152
- Spacer sleeves for XEG-2Q*: 66.9162

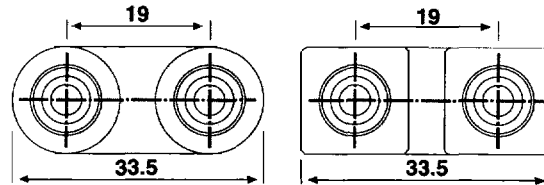
Colors: XEG-2R: 20 - 26 XEG-2Q: 21 - 23



XEG-2R
XEG-2RR
XEG-2Q
XEG-2QR

66.913;
(XEG-2F
hex nut

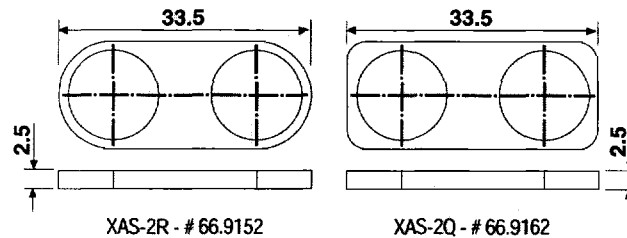
66.986
(XEG-2RF
round nut



66.914;
(XEG-2C
hex nut

66.986
(XEG-2QF
round nut

1:1



XAS-2R - # 66.9152

XAS-2Q - # 66.9162

1:1

4 mm - 20 A -

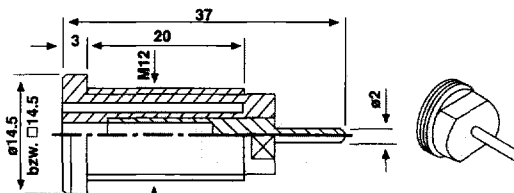
Two-pole safety panel-mount sockets, rated 1000 V, CAT III, 24 A. 4 mm nickel-plated brass sockets with 2 mm solder pins. The Polyamide 6.6 insulator is available with either round (XES-2R) or square (XES-2Q) head and both sockets are available with either hex nuts or round nuts (XES-2RR or XES-2QR).

Single-pole version available on page 183.

Accessories:

- Spacer sleeves for XEG-2R*: 66.9152
- Spacer sleeves for XEG-2Q*: 66.9162

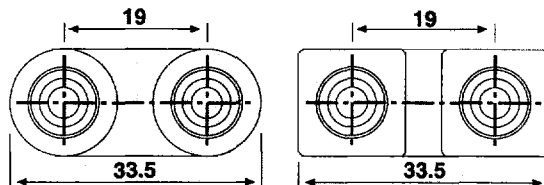
Colors: XES-2R: 20 - 26 XES-2Q: 21 - 23



XES-2R
XES-2RR
XES-2Q
XES-2QR

66.966;
(XES-2F
hex nut

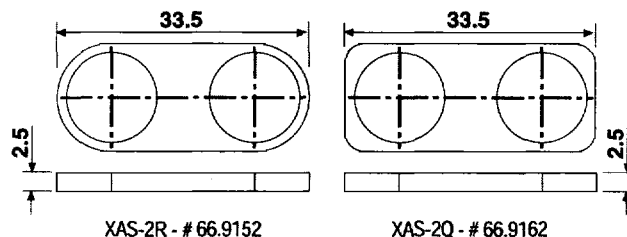
66.986
(XES-2RF
round nut



66.967;
(XES-2C
hex nut

66.986
(XES-2QF
round nut

1:1



XAS-2R - # 66.9152

XAS-2Q - # 66.9162

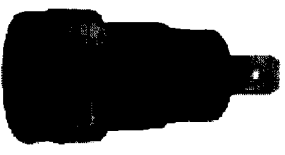

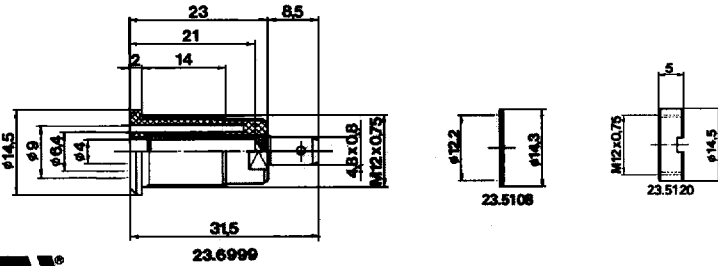

1:1

20 - green/yellow 21 - black 22 - red 23 - blue 24 - yellow 25 - green 26 - violet 27 - brown 28 - gray 29 - white 33 - transparent

4 mm Safety Jacks

Insulation coordination and degree of exposure to environmental contamination defined by IEC 1010, DIN VDE 0110.

Part No.	Type	Nominal diameter	Withdraw. force	Rated current	Contact resistance
23.3000	SLB 4-F	4 mm	-	24 A	-
19.7044	SLB 4-F/N-X	4 mm	-	32 A	-
23.3060	SLB 4-F6.3	4 mm	-	32 A	-


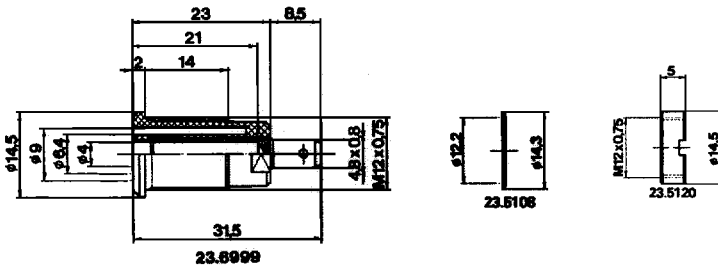






1:1.3

Safety screw-on panel mount jack 4 mm (.160 in) dia., machined brass, gold plated, polyamide insulated with flat tab 4.8 x 0.8 mm (.189 x .031 in).

Ratings:
 • Rated voltage: 1000 V UL: 500 V (35 A)
 • Insulation coordination: 8000 V/2
 • Test voltage: 4350 V UL: 2000 V
 • Breakdown/flashover voltage with 5 mm (.200 in) panel thickness: 8500 V

Colors: 20 - 29
 Tools for assembly / round nuts:
 • Special spanner SS 425 # 25.0020
 • Spanner (twist stop) SS 2 # 25.0022

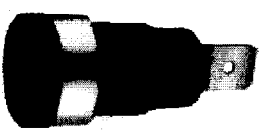

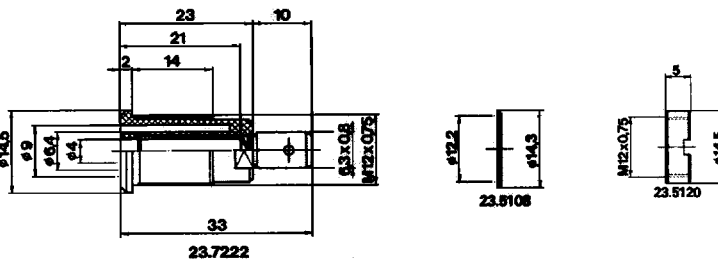




1:1.3

Safety screw-on panel mount jack 4mm (.160 in) dia., machined brass, nickel plated, polyamide insulated, with flat tab 4.8 x 0.8 mm (.189 x .031 in).

Ratings:
 • Rated voltage: 1000 V, CAT III

Colors: 20 - 29
 Tools for assembly / round nuts:
 • Special spanner SS 425 # 25.0020
 • Spanner (twist stop) SS 2 # 25.0022

1:1.3

Safety screw-on panel mount jack 4mm (.160 in) dia., machined brass, gold plated, polyamide insulated, with flat tab 4.8 x 0.8 mm (.189 x .031 in).

Ratings:
 • Rated voltage: 1000 V
 • Insulation coordination: 8000 V/2
 • Test voltage: 4350 V
 • Breakdown/flashover voltage with 5 mm (.200 in) panel thickness: 8500 V

Colors: 20 - 29
 Tools for assembly / round nuts:
 • Special spanner SS 425 # 25.0020
 • Spanner (twist stop) SS 2 # 25.0022

- 20 - green/yellow 21 - black 22 - red 23 - blue 24 - yellow 25 - green 26 - violet 27 - brown 28 - gray 29 - white 33 - transparent

For assembly of SLB... SAB...
 Max. tightening torque 0.5 Nm (.37 lb)

Nominal diameter	Withdraw. force	Rated current	Contact resistance	Type	Part No
4 mm	-	32 A	-	SLB 4-F6.3/N-X	49.7046

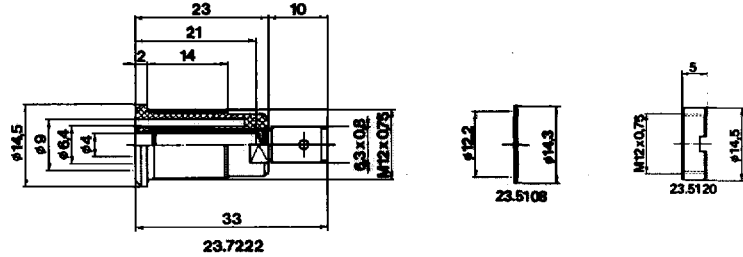
Safety screw-on panel mount jack 4mm (.160 in) dia., machined brass, nickel plated, polyamide insulated, with flat tab 6.3 x 0.8 mm (.25 x .031 in).



Ratings:
 • Rated voltage: 1000 V, CAT III

Colors: 20 - 29

Tools for assembly / round nuts:
 • Special spanner SS 425 # 25.0020
 • Spanner (twist stop) SS 2 # 25.0022



1:1.3

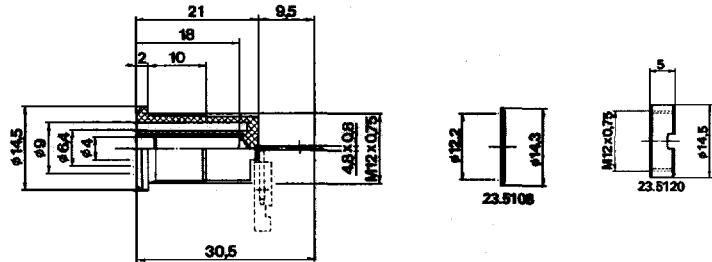
4 mm	-	24 A	-	SLB 4-F/A	23.3076
------	---	------	---	-----------	---------

Safety screw-on panel mount jack 4 mm (.160 in) dia., rolled brass, nickel plated, polyamide insulated, with flat tab 4.8 x 0.8 mm (.189 x .031 in) which can be bent 90° once only.



Ratings:
 • Rated voltage: 1000 V
 • Insulation coordination: 6000 V/2
 • Test voltage: 4000 V / IEC 3250 V
 • Breakdown/flashover voltage with 5 mm (.200 in.) panel thickness: 8500 V

Colors: 20 - 29
 Tools for assembly / round nut:
 • Special spanner SS 425 # 25.0020
 • Spanner (twist stop) SS 2 # 25.0022



1:1.3

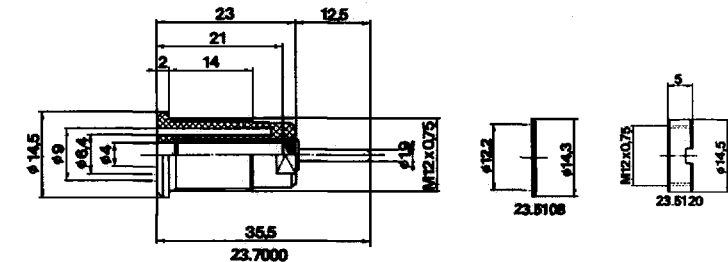
4 mm	-	24 A	-	SLB 4-R	23.3016
------	---	------	---	---------	---------

Safety screw-on panel mount jack 4 mm (.160 in) dia., machined brass, gold plated, polyamide insulated, with pin terminal 1.9 mm (.075 in) dia.



Ratings:
 • Rated voltage: 1000 V (UL: 500 V, 35 A)
 • Insulation coordination: 8000 V/2
 • Test voltage: 4350 V UL: 2000 V
 • Breakdown/flashover voltage with 5 mm (.200 in) panel thickness: 8500 V

Colors: 20 - 29
 Tools for panel mount / round nuts:
 • Special spanner SS 425 # 25.0020
 • Spanner (twist stop) SS 2 # 25.0022



1:1.3



20 - green/yellow 21 - black 22 - red 23 - blue 24 - yellow 25 - green 26 - violet 27 - brown 28 - gray 29 - white 33 - transparent

4 mm Safety Jacks

Insulation coordination and degree of exposure to environmental contamination defined by IEC 1010, DIN VDE 0110.

Part No.	Type	Nominal diameter	Withdraw. force	Rated current	Contact resistance
----------	------	------------------	-----------------	---------------	--------------------

19.7048 SLB 4-R/N-X



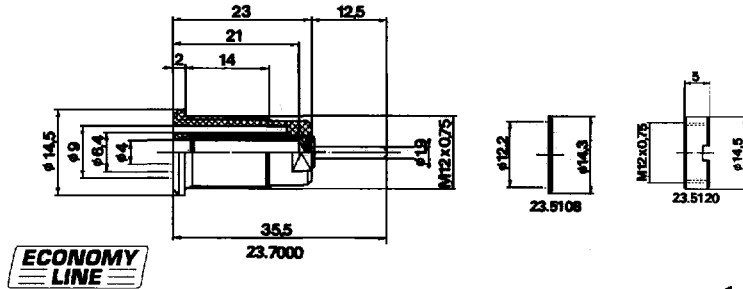
4 mm - - -

Safety screw-on panel mount jack 4 mm (.160 in) dia., machined brass, nickel plated, polyamide insulated, with pin terminal 1.9 mm (.075 in) dia.

Ratings:
• Rated voltage: 1000 V, CAT III

Colors: 20 - 29

Tools for panel mount / round nuts:
• Special spanner SS 425 # 25.0020
• Spanner (twist stop) SS 2 # 25.0022



1:1.3

23.3020 SLB 4-G



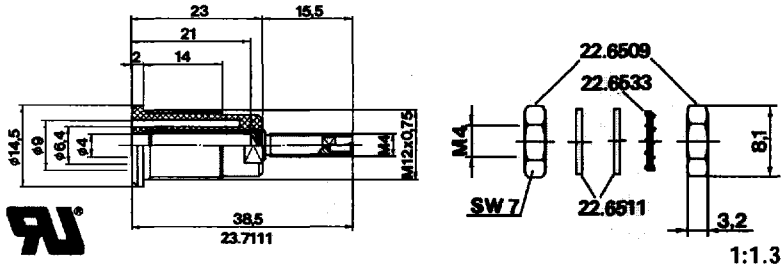
4 mm - 32 A -

Safety screw-on panel mount jack 4 mm (.160 in) dia., machined brass, gold plated, polyamide insulated, with M 4 threaded post and solder hole.

Ratings:
• Rated voltage: 1000 V (UL 500 V, 35 A)
• Insulation coordination: 8000 V/2
• Test voltage: 4350 V / UL 2000 V
• Breakdown/flashover voltage with 5 mm (.200 in) panel thickness: 8500 V

Colors: 20 - 29

Tools for assembly / round nuts:
• Special spanner SS 425 # 25.0020
• Spanner (twist stop) SS 2 # 25.0022



1:1.3

19.7043 SLB 4-G/N-X



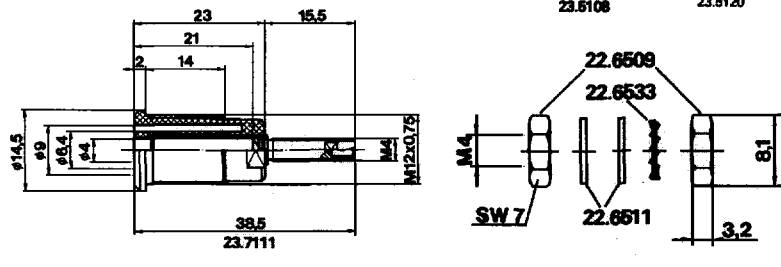
4 mm - 32 A -

Safety screw-on panel mount jack 4 mm (.160 in) dia., machined brass, nickel plated, polyamide insulated, with M 4 threaded post and solder hole.

Ratings:
• Rated voltage: 1000 V, CAT III

Colors: 20 - 29

Tools for assembly / round nuts:
• Special spanner SS 425 # 25.0020
• Spanner (twist stop) SS 2 # 25.0022



1:1.3

20 - green/yellow 21 - black 22 - red 23 - blue 24 - yellow 25 - green 26 - violet 27 - brown 28 - gray 29 - white 33 - transparent

Nominal diameter **Withdraw. force** **Rated current** **Contact resistance**

Type **Part No**

4 mm - 32 A¹⁾ -



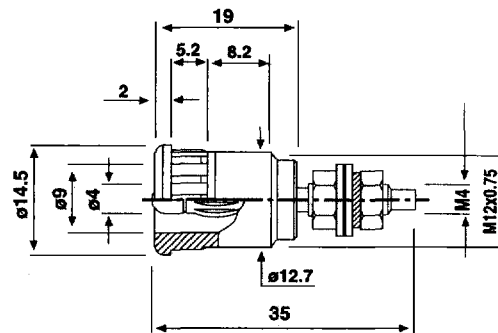
SLB 4-T/N 49.7059-2f

Electrostatic discharge press-in safety jack to equip test and work stations for the protection from electrostatic charging. 4 mm (.160 in) diameter, brass, nickel plated with M4 threaded post with solder hole, polyamide insulated.
 Mounting hole 12.8 mm (.50 in) diameter.
 For use with special connecting leads on pages 198, 205, and 249.

Ratings:
 •Rated voltage: 1000 V, CAT II ¹⁾

Colors: 20

¹⁾ For use as a grounding socket.



1:1

4 mm - 32 A¹⁾ -



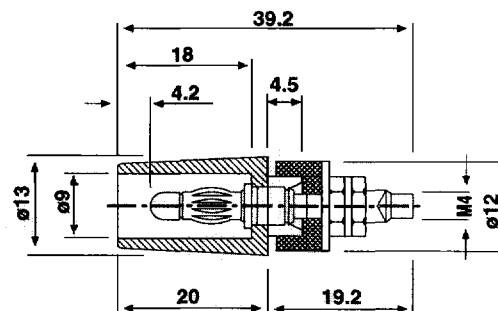
SAB 4-GT/N 49.4011-2f

Electrostatic discharge screw-in safety jack to equip test and work stations for the protection from electrostatic charging. 4 mm (.160 in) diameter, brass, nickel plated with M4 threaded post with solder hole, polyamide insulated.
 Mounting hole 8.2 mm (.323 in) diameter.
 For use with special connecting leads on pages 198, 205, and 249.

Ratings:
 •Rated voltage: 600 V, CAT II ¹⁾

Colors: 20

¹⁾ For use as a grounding socket.



1:1

